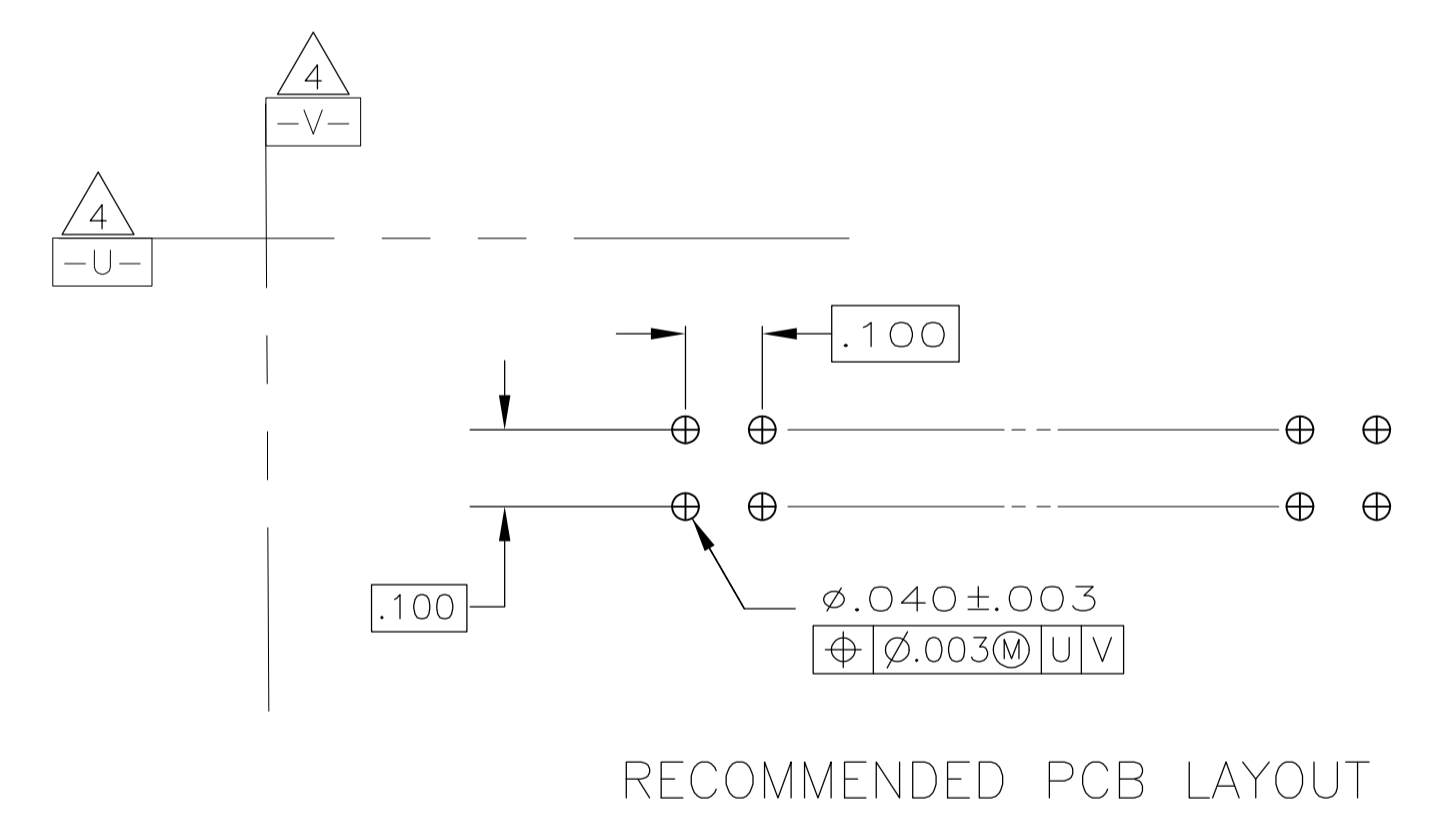
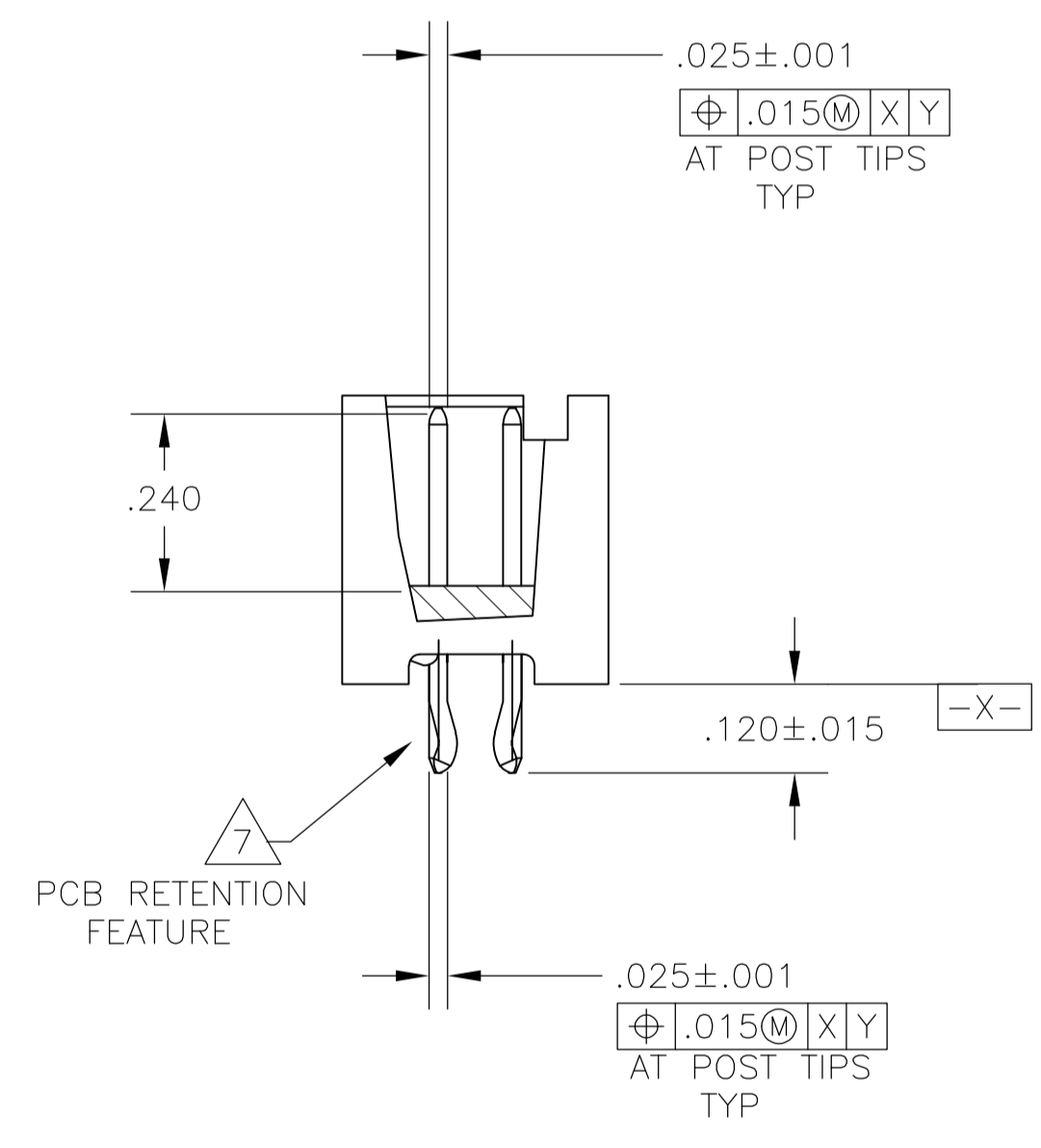
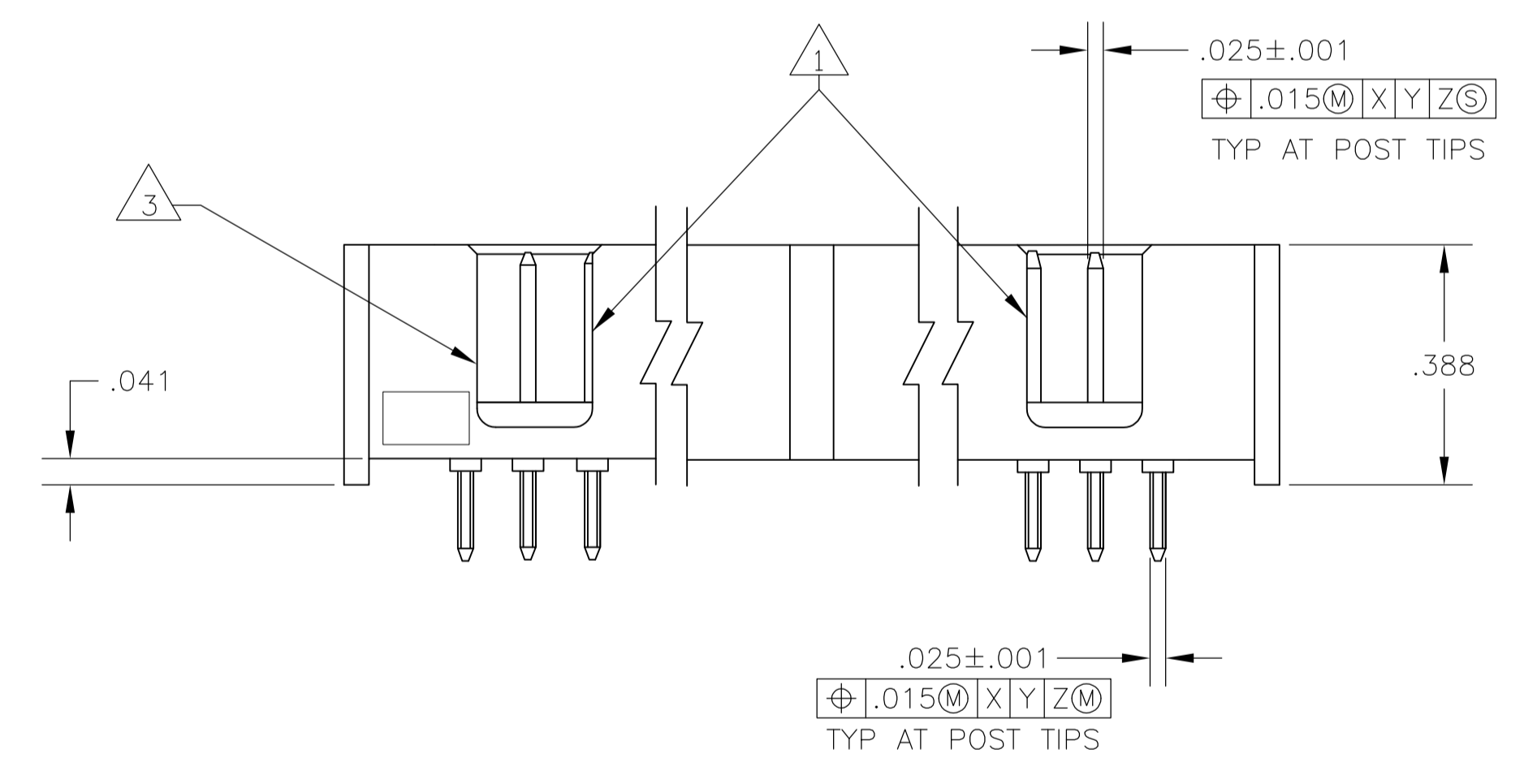
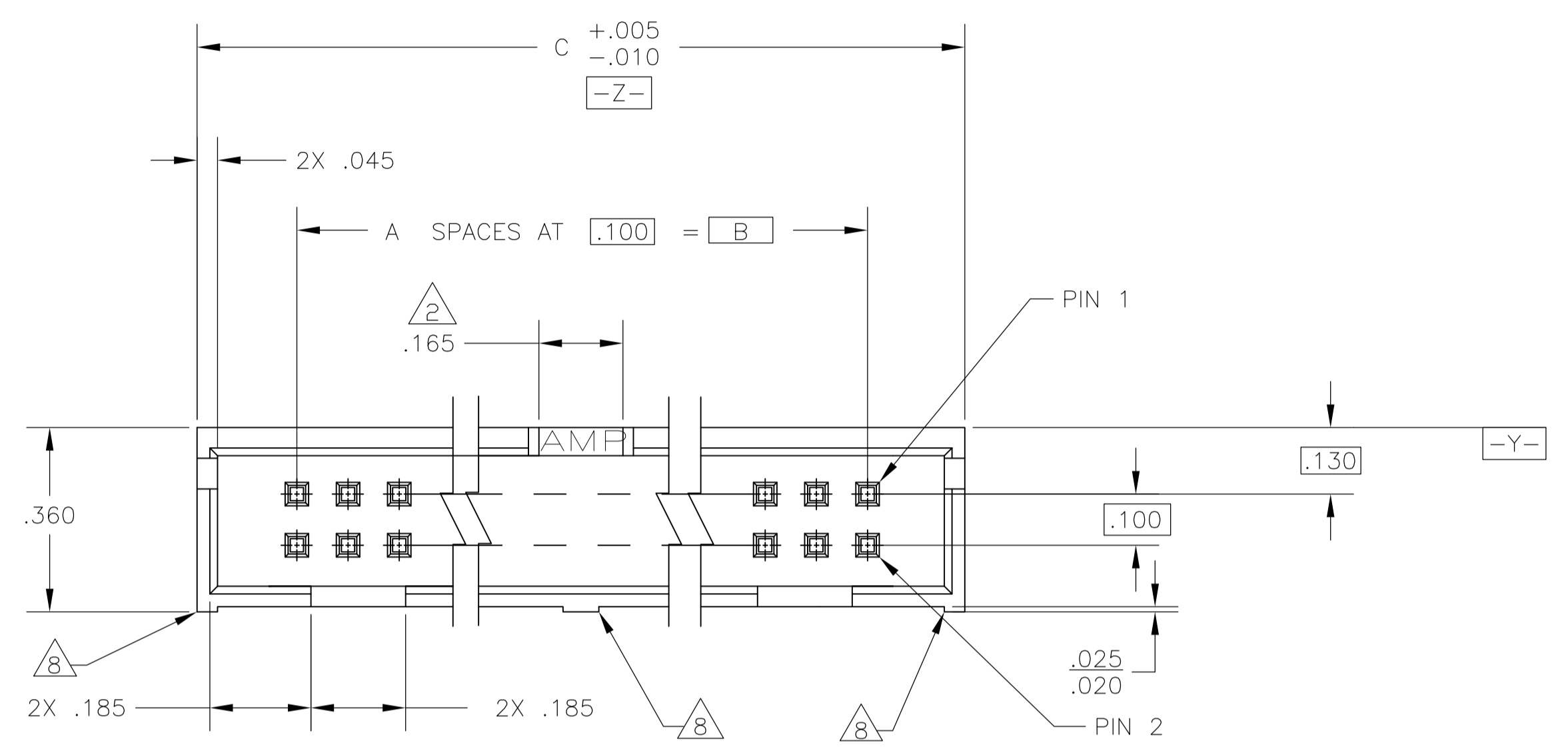


- 1 DOUBLE BAR POLARIZATION SLOTS.
- 2 CENTER POLARIZATION SLOT.
- 3 FOR 10 POSN ASSEMBLY, SLOT OMITTED IN THIS LOCATION.
- 4 DATUMS U AND V TO BE ESTABLISHED BY THE CUSTOMER.
- 5 HOUSING: GLASS FILLED PPA, UL 94V-0, COLOR: BLACK. POSTS: BRASS.
- 6 POSTS: GOLD FLASH OVER PALLADIUM-NICKEL PLATE, .000015 MIN TOTAL ON THE MATING SURFACES, .000100 MIN TIN PLATE ON THE SOLDER-TAILS, .000050 MIN NICKEL UNDERPLATE ON THE ENTIRE POST.  
-OR-  
.000015 MIN GOLD PLATE ON THE MATING SURFACES, .000100 MIN TIN PLATE ON THE SOLDER-TAILS, .000050 MIN NICKEL UNDERPLATE ON THE ENTIRE POST.
- 7 THE RETENTION FEATURE ON THE SOLDER-TAILS WAS DESIGNED FOR A PCB THICKNESS OF .062±.007. THIS FEATURE APPLIES ONLY TO THE SOLDER-TAILS LOCATED ON THE END POSITIONS THE CONNECTOR (4 PLACES).
- 8 RIBS:  
ALL POSITION SIZES-2 LOCATED AT ENDS OF HOUSING.  
20 THRU 34 POSITION SIZES- 1 OPTIONAL RIB CENTERED ON HOUSING.  
40 THRU 50 POSITION SIZES-2 OPTIONAL RIBS EVENLY SPACED WITHIN REMAINING LENGTH OF HOUSING.



3.300	2.900	29	60	1-5104338-0
2.800	2.400	24	50	5104338-9
2.300	1.900	19	40	5104338-8
2.000	1.600	16	34	5104338-7
1.600	1.200	12	26	5104338-6
1.500	1.100	11	24	5104338-5
1.300	.900	9	20	5104338-4
1.100	.700	7	16	5104338-3
1.000	.600	6	14	5104338-2
.800	.400	4	10	5104338-1
C	B	A	NO OF POSN	ASSEMBLY PART NUMBER

THIS DRAWING IS A CONTROLLED DOCUMENT.

DIMENSIONS: INCHES	TOLERANCES UNLESS OTHERWISE SPECIFIED:	0 PLC ± -	1 PLC ± -	2 PLC ± -	3 PLC ± .005	4 PLC ± -	ANGLES ± -
MATERIAL		FINISH		WEIGHT		SCALE	
5		6		A1 00779		5104338	

APPROVED: J. GERACE, M. WALMSLEY  
DATE: 01 NOV 05  
NAME: M. WALMSLEY  
PRODUCT SPEC: 108-40018  
APPLICATION SPEC: -  
SIZE: A1  
CAGE CODE: 00779  
DRAWING NO: 5104338  
RESTRICTED TO: -  
CUSTOMER DRAWING  
SCALE: 4:1  
SHEET: 1 OF 1  
REV: E

STE TE Connectivity  
HEADER ASSY, VERTICAL, LOW PROFILE, AMP-LATCH